



• ED7025 Series.

DC Brushless fan.

Size: 70 x 70 x 25 mm

2.75 x 1 Inches.

Airflow: Max. 70 CFM / 2 m³/min

Plastic Impeller / Plastic Frame.

Model No.	Rated Voltage	Voltage Range	Input Power	Rated Current	Ref Speed	Max. Airflow		Max. Static Pressure		Noise Level	PQ Curves
	VDC	VDC	Watt	Amp	RPM	CFM	m ³ /min	Inch/H ₂ O	mm/H ₂ O	dB (A)	
ED7025-05SH**	5	4~7	6	1.2	7000	70	2	0.8	20.32	51	1
ED7025-05HHH**	5	4~7	3	0.6	5000	50	1.4	0.4	10.16	43	2
ED7025-05HH**	5	4~7	2.4	0.48	4500	45	1.3	0.32	8.13	40	3
ED7025-05H**	5	4~7	1.8	0.36	3500	35	1	0.2	5.08	30	4
ED7025-12SH**	12	7~13.2	6	0.5	7000	70	2	0.8	20.32	51	1
ED7025-12HHH**	12	7~13.2	3	0.25	5000	50	1.4	0.4	10.16	43	2
ED7025-12HH**	12	7~13.2	2.4	0.2	4500	45	1.3	0.32	8.13	40	3
ED7025-12H**	12	7~13.2	1.8	0.15	3500	35	1	0.2	5.08	30	4
ED7025-24SH**	24	14~26.4	6	0.25	7000	70	2	0.8	20.32	51	1
ED7025-24HHH**	24	14~26.4	3	0.12	5000	50	1.4	0.4	10.16	43	2
ED7025-24HH**	24	14~26.4	2.4	0.1	4500	45	1.3	0.32	8.13	40	3
ED7025-24H**	24	14~26.4	1.8	0.07	3500	35	1	0.2	5.08	30	4
ED7025-48SH**	48	28~56	6	0.12	7000	70	2	0.8	20.32	51	1
ED7025-48HHH**	48	28~56	3	0.06	5000	50	1.4	0.4	10.16	43	2
ED7025-48HH**	48	28~56	2.4	0.05	4500	45	1.3	0.32	8.13	40	3
ED7025-48H**	48	28~56	1.8	0.03	3500	35	1	0.2	5.08	30	4

** = "BL" for wire lead type Ball bearing Type.

-We reserve the right to change data and improve electrical & mechanical design without notice. data tolerance +10%

Motor

Motor Type: Brushless DC Motor, auto cutoff, auto restart optional only
 Burnout Protection: Electronically protected, polarity protected
 IP Protection: Ratings on request

Mechanical

Frame: Glass fiber reinforced thermoplastic, rated UL94V-0
 Impeller: 7 blades, glass fiber reinforced plastic, rated UL94V-0
 Bearing: Two ball bearings
 Rotation: CCW seen on rotor
 Connection: Wire lead
 Weight: 74 g (0.163 Lbs)

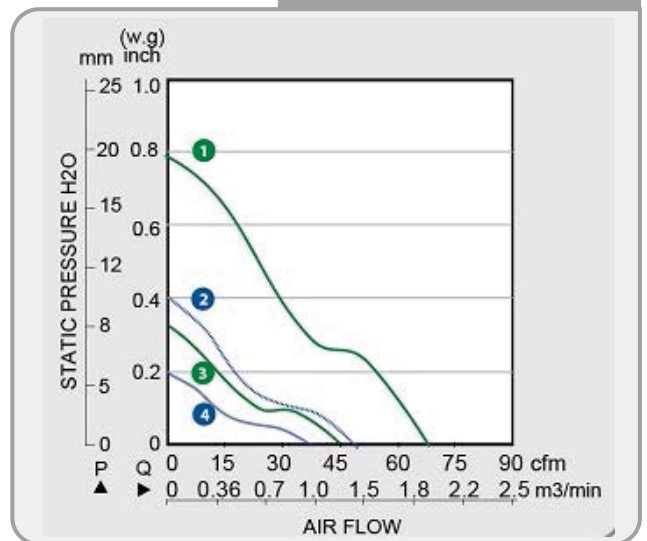
Electrical

Dielectric Strength: 500 VAC/min. Max leakage 500mA
 Speed Control: -
 Signal Output: Optional: R/D alarm output, tachometer output F/G

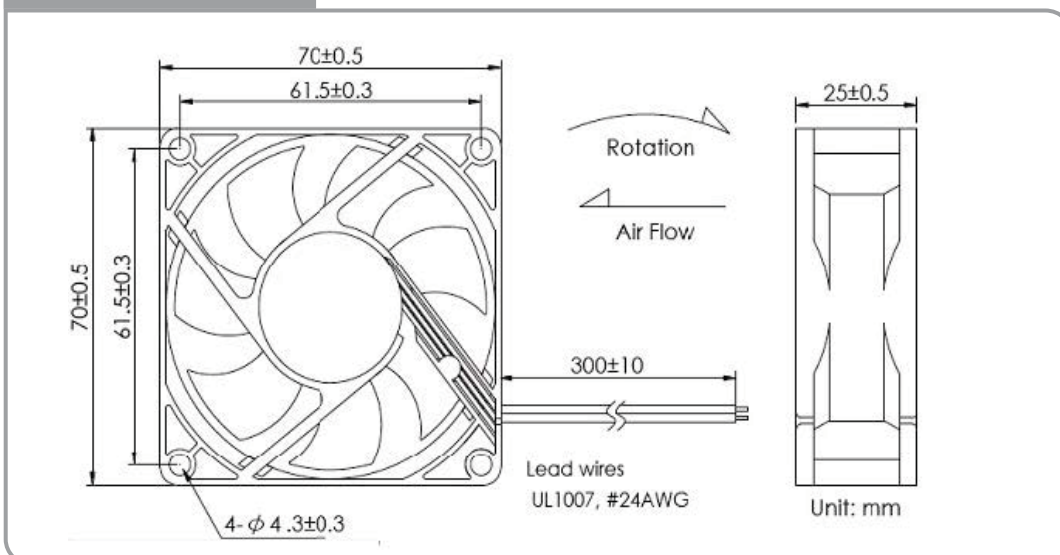
Environment

Operating Temp: Ambient non-condensing -15°C~+65°C
 Storage Temp: -25°C~+80°C (at 65%RH)
 Life Expectancy: L10 60K hours at 45°C, 50K hours at 60°C

▶ Performance P-Q Curves.



▶ Outline Dimensions.



Fan Accessories



Metal Fan Guards



Plastic Fan Guards



Plastic Fan Filter